

# PopUp Towing Products Identification Chart

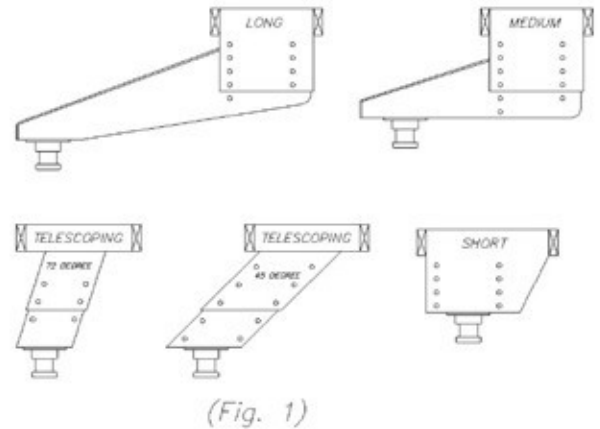
## Trailer Information

Make: \_\_\_\_\_ Model: \_\_\_\_\_ Year: \_\_\_\_\_ Total Trailer Weight: \_\_\_\_\_ lbs.

Customer Name: \_\_\_\_\_ Phone Number: \_\_\_\_\_

## What type of Pin Box do you have?

- Look on the pin box to locate the manufacturer's label. Common manufacturers are: Atwood, Fabex, Leland, Lippert, RBW, Venture and Young's Welding.  
Mfg : \_\_\_\_\_
- After locating the label, locate the model/part number. Example: Leland P/N AF 7910. P/N : \_\_\_\_\_
- If a manufacturer's label can not be located, get the last six digits of the coach serial number, call the coach manufacturer and ask them what make and model pin box was installed on your coach.
- If you are unsuccessful in acquiring the information above get the following measurements and a **PopUp Towing** representative will help in determining which pin box you need.



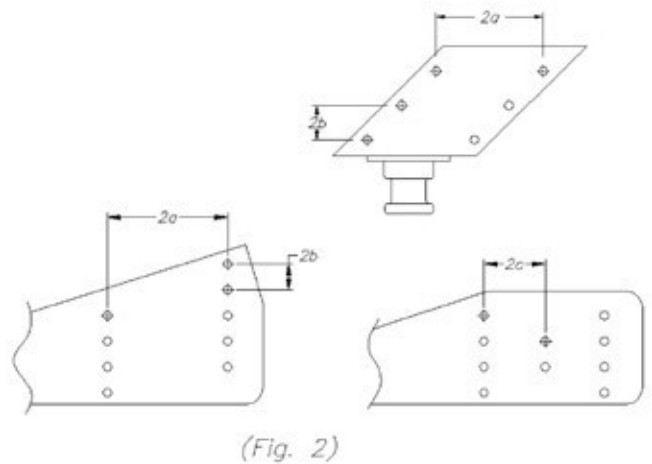
## Pin Box Measurements

- What style of pin box do you have? (Fig. 1) (circle one)

Long, Medium, Telescoping (34°/45°/72°), Short

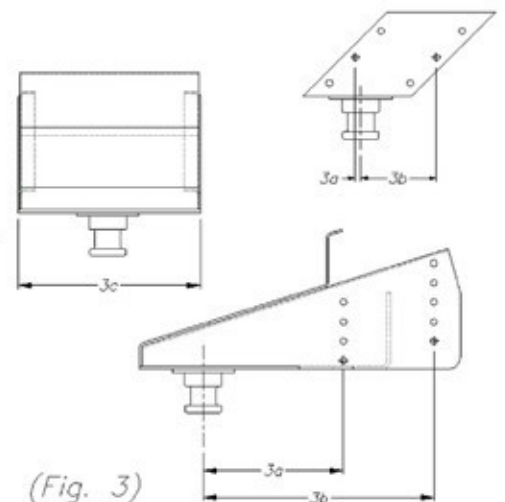
- Measure the bolt hole pattern. (Fig. 2)

- \_\_\_\_\_ 2a: Horizontal distance between the rows of bolts, measure from hole center to hole center.  
 \_\_\_\_\_ 2b: Vertical distance from hole center to hole center.  
 \_\_\_\_\_ 2c: If there are three rows of bolt holes, measure horizontal distance from hole center to hole center.  
 \_\_\_\_\_ 2d: Bolt size.  
 \_\_\_\_\_ 2e: Bolt head size.  
 \_\_\_\_\_ 2f: Number of bolts per side.



- Measure king pin center. (Fig. 3)

- \_\_\_\_\_ 3a: Measure from center of the front row of bolts to the centerline of the king pin. The telescoping and short style pin boxes may have the king pin located behind the front row of bolts. If the hole pattern is at an angle, use the centerline of the second lowest front hole to measure to the center of the king pin in the retracted position.  
 \_\_\_\_\_ 3b: Measure from center of the rear row of bolt to centerline of the king pin.  
 \_\_\_\_\_ 3c: Measure the overall width of the pin box.



- Double check your measurements.

- \_\_\_\_\_  $3b - 3a = 2a$  Note: 3a is negative when the king pin is behind the first row of holes.

# PopUp Towing RVGC identification/fit guide 11-26-24

GEM PIN BOX	STYLE	HORZ BOLT SPACING	VERT BOLT SPACING	CENTER BOLT SPACING	BOLT SIZE	PIN BOX WIDTH	ADJ GOOSE COUPLER	ADJ CUSHIONED GOOSE COUPLER
DEXTER 221-0023-00	LONG	7	1.5	N/A	0.5	14	4220A	4320CA
DEXTER 221-0031	LONG	7	1.5	N/A	0.5	12	4230A	4330CA
DEXTER 221-0037	LONG	7	1.5	N/A	0.625	14		
FABEX 300,314,316	45	7.125	2.0625	N/A	0.625	8	4225A	
FABEX 330	45	7.125	2.0625	N/A	0.625	8	4225A	
FABEX 500	LONG	9.5	N/A	N/A	0.625	12.5	4210A	4310CA
FABEX 503	LONG	9.5	2.5	N/A	0.625	12.5	4210A	4310CA
FABEX 520	MEDIUM	9.5	2.5	N/A	0.625	12.5	4210A	4310CA
FABEX 530	MEDIUM	9.5	2.5	N/A	0.625	12.5	4210A	4310CA
FABEX 560	SHORT	9.5	2.5	4.75	0.625	12.5	4210A	4310CA
FABEX 660	SHORT	7.875	2	N/A	0.5	12	4250A	
FABEX 663	MEDIUM	7.9375	2	N/A	0.5	12	4235A	
FABEX 665	LONG	7.875	2	N/A	0.5	12	4235A	
FABEX 730	MEDIUM	9.5	2	4.75	0.625	12.5	4255A	4355CA
FABEX 765	LONG	9.5	2	4.75	0.625	12.5	4255A	4355CA
FABEX 770	LONG	9.5	2	4.75	0.625	12.5	4255A	4355CA
FABEX 770iK	LONG	8.75	2	NA	0.625	12	4245A	
LELAND 7900	SHORT	7	1.5	N/A	0.5	14	4220A	4320CA
LELAND 7910	MEDIUM	7	1.5	N/A	0.5	14	4220A	4320CA
LELAND 7920	LONG	7	1.5	N/A	0.5	14	4220A	4320CA
LELAND 7930	LONG	6	1.5	N/A	0.625	7.875	4280A	4380CA
LIPPERT 0115	SHORT	8.75	2.5	4.375	0.625	12.5	4210A	4310CA
LIPPERT 0516	45	7.125	2.0625	N/A	0.625	8	4225A	
LIPPERT 0719	MEDIUM	7.875	2	N/A	0.625	12	4205A	4305CA
LIPPERT 1116	MEDIUM	8.75	2.5	4.375	0.625	12.5	4210A	4310CA
LIPPERT 1621	LONG	7.875	2	N/A	0.625	12	4205A	4305CA
LIPPERT 1716	LONG	8.75	2.5	4.375	0.625	12.5	4210A	4310CA
Rhino Box	LONG	7.5	2	N/A	0.625	12	4205A	4305CA
RBW 7019	MEDIUM	9.5	2	N/A	0.625	12.5	4255A	4355CA
RBW 7028	LONG	9.5	2.5	N/A	0.625	12.5	4210A	4310CA
RBW7027	45	7.125	2.0625	N/A	0.5	8		
REESE REVOLUTION	LONG	9.5	N/A	N/A	0.625	10		4370CA
SEITZ 118K	LONG	9.5	2.5	N/A	0.75	12		
VENTURE	SHORT	8	1.5	N/A	0.5	12	4230A	4330CA
VENTURE CJ13515, CJ13517	LONG	8	1.5	N/A	0.5	12	4230A	4330CA
VENTURE CJ13515, CJ13517	MEDIUM	8	1.5	N/A	0.5	12	4230A	4330CA
YOUNG'S WELDING	45	7.6875	2.875	N/A	0.625	8		
YOUNG'S WELDING	SHORT	5.5	3	N/A	0.5625	8		
YOUNG'S WELDING	LONG	9	3	N/A	0.75	12	4200A	4300CA
YOUNG'S WELDING	MEDIUM	9	3	N/A	0.75	12	4200A	4300CA
YOUNG'S WELDING 52751	SHORT	10	3	N/A	0.625	14		
YOUNG'S WELDING-6640-1	SHORT	10	3	N/A	0.625	8.5		

Columns in Yellow are mandatory measurements

All measurements are from center of hole to center of hole